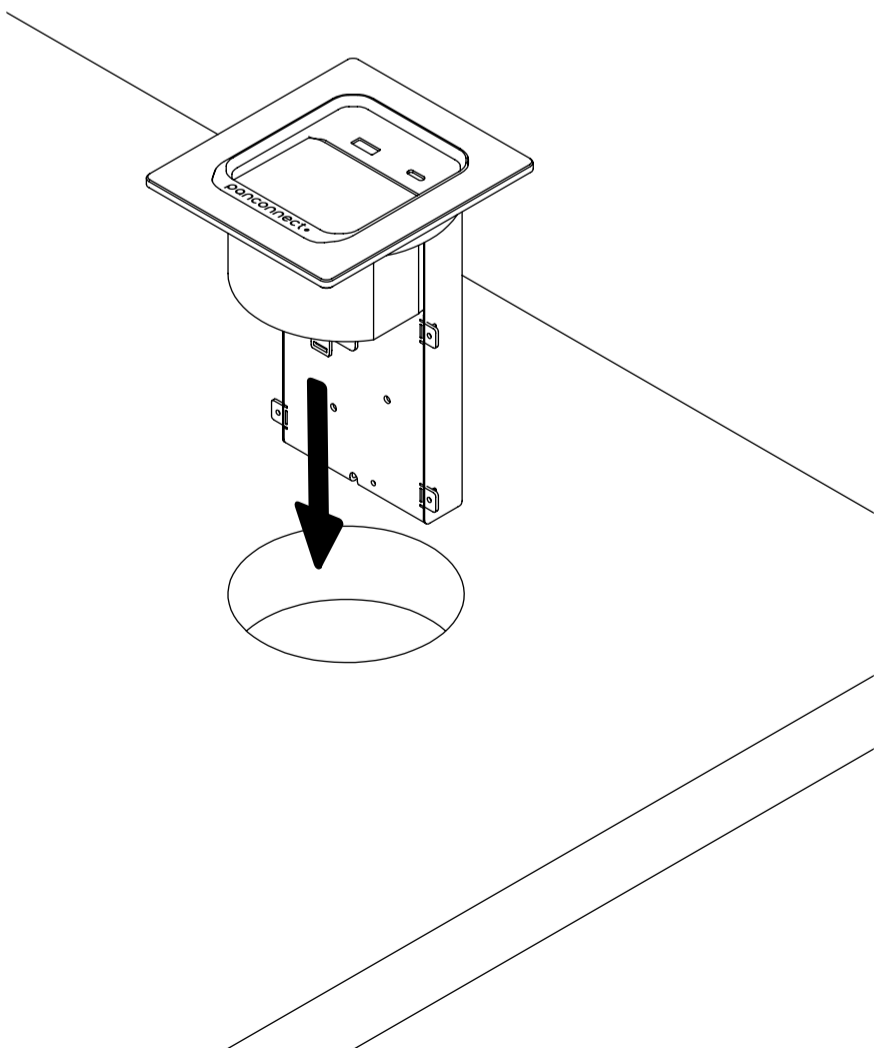


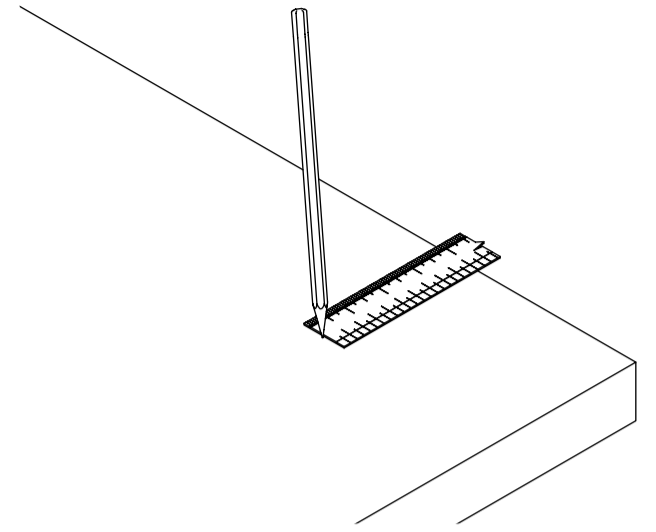
# CORD

by panconnect•

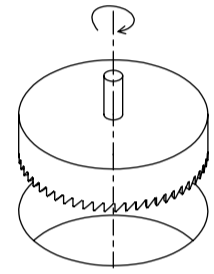
3|  
Insert the panel to the hole



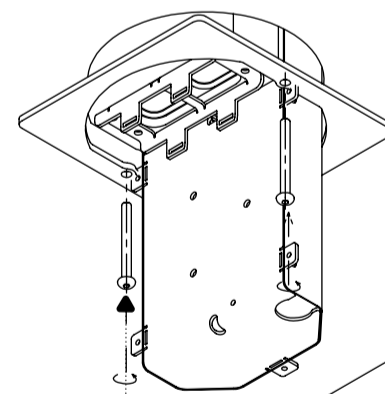
1|  
Mark the centre









2|  
Cut out the hole with  
the hole saw ( $\varnothing$  100 mm)



4|  
Place the frame and tighten  
it with the screws



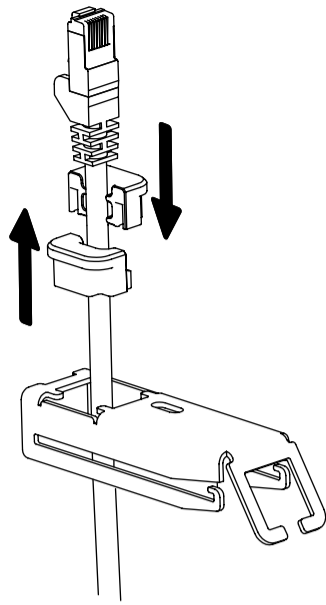
**!** LENGTH OF A SCREW FOR AN INSTALLATION TO  
THE TABLE DESK

LENGTH OF A SCREW ► M4 ISO 7380 A2	10	16	20	25	30	35
						
DESK MOUNTING ► HEIGHT	10-14	15-19	20-24	25-29	30-34	35-40

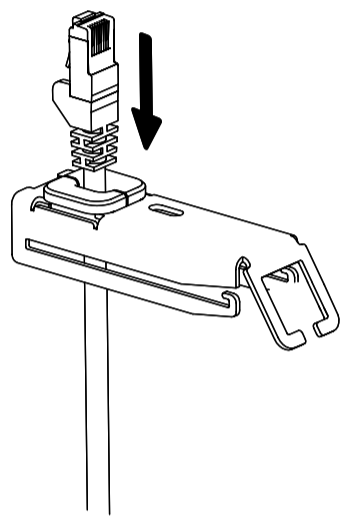
**How to assemble pullout**

**1|**  
Firstly pass a cable through a metal piece

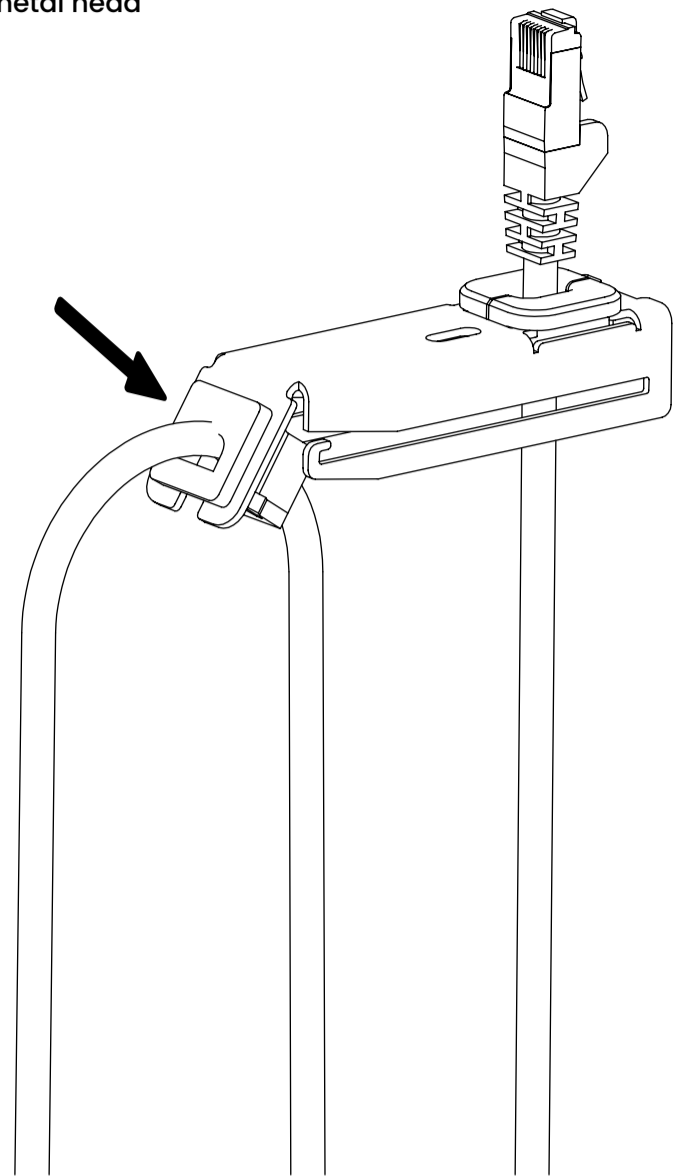
Put the plastic piece on the second one so that the cable gets in the middle



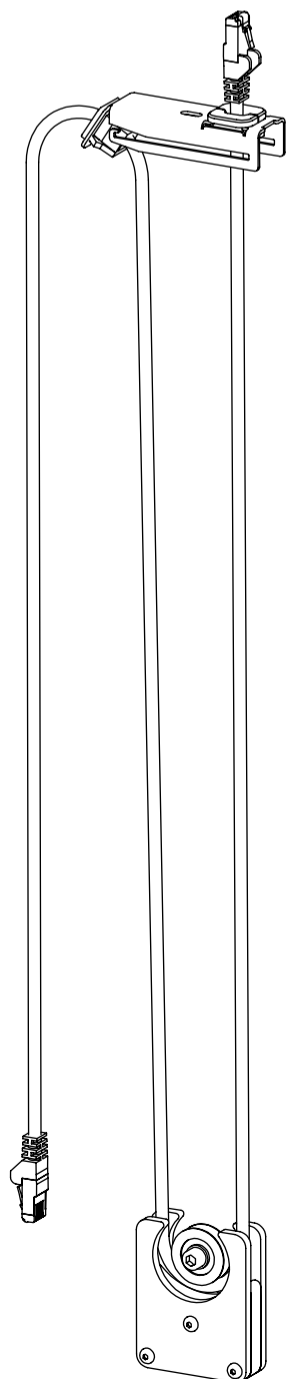
**2|**  
Insert the plastic pieces into the metal head



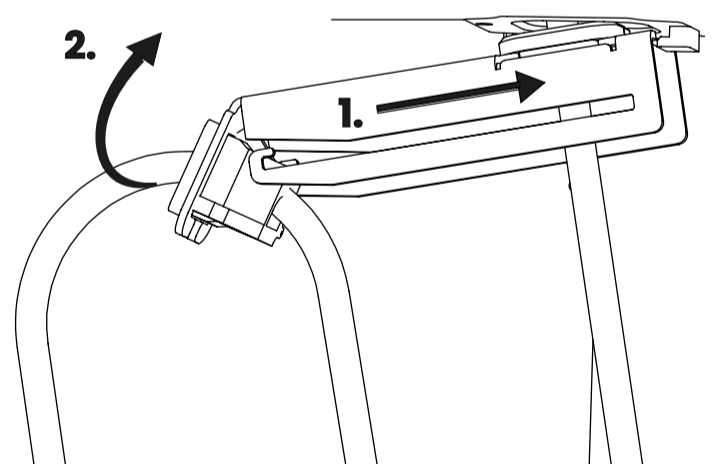
**3|**  
Clip the plastic fastener on the cable to the metal head



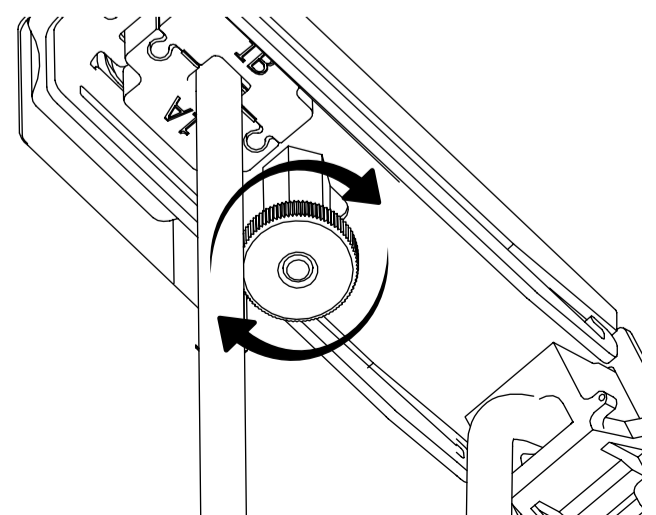
**4|**  
Put the cable into the weight so that it fits to the pulley's groove in the weight



**5|**  
Follow direction of arrow no. 1 to hook the metal piece on the panel. Arrow no. 2 shows how to move the metal piece closer to the panel

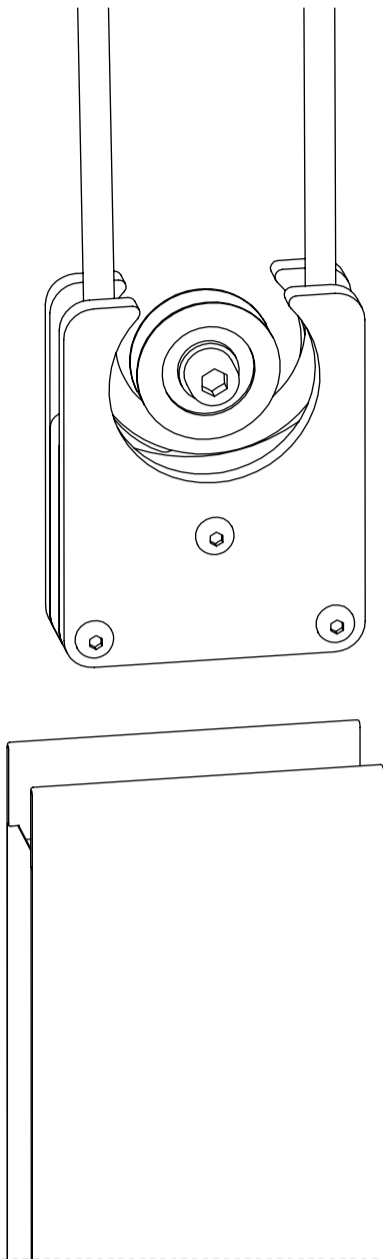


**6|**  
Take the scalloped screw and screw the metal piece to the panel



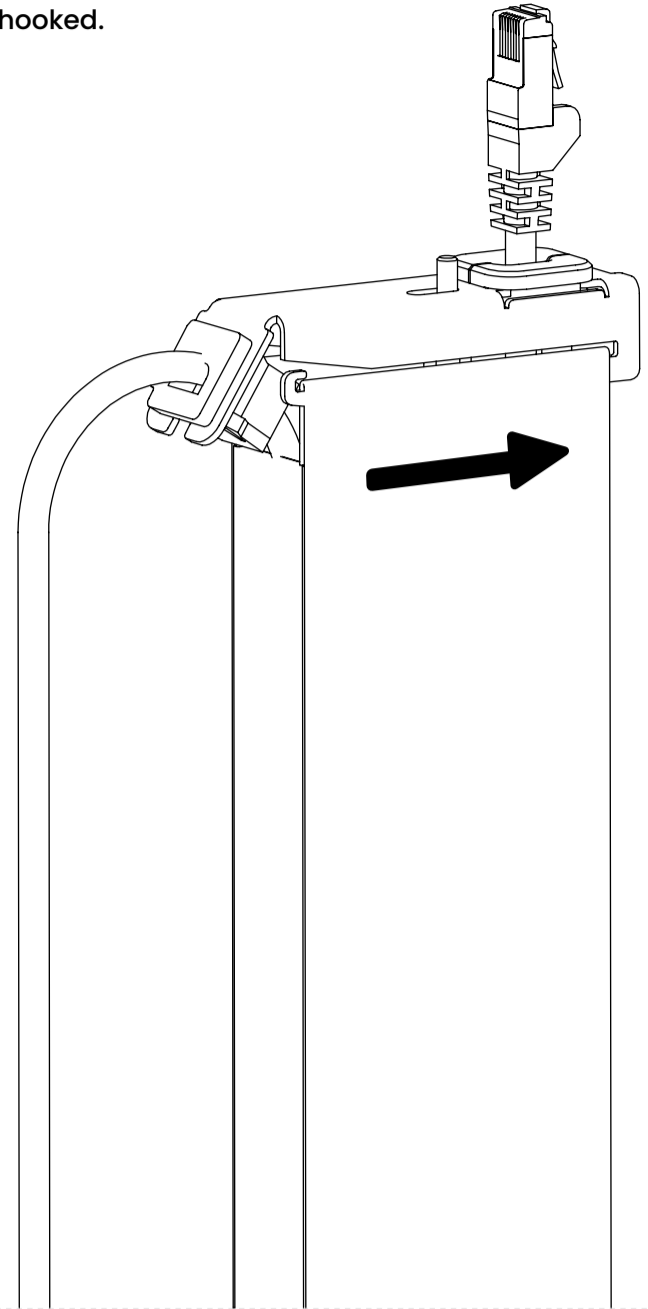
7|

Put the bag on the cable with weight

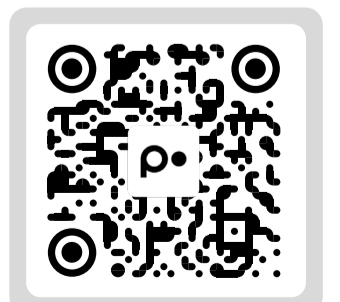


8|

Place the bag on the metal head.  
The are tunnels on the bag that should be passed through the metal head and hooked.



More details:



**CORD**  
by panconnect.