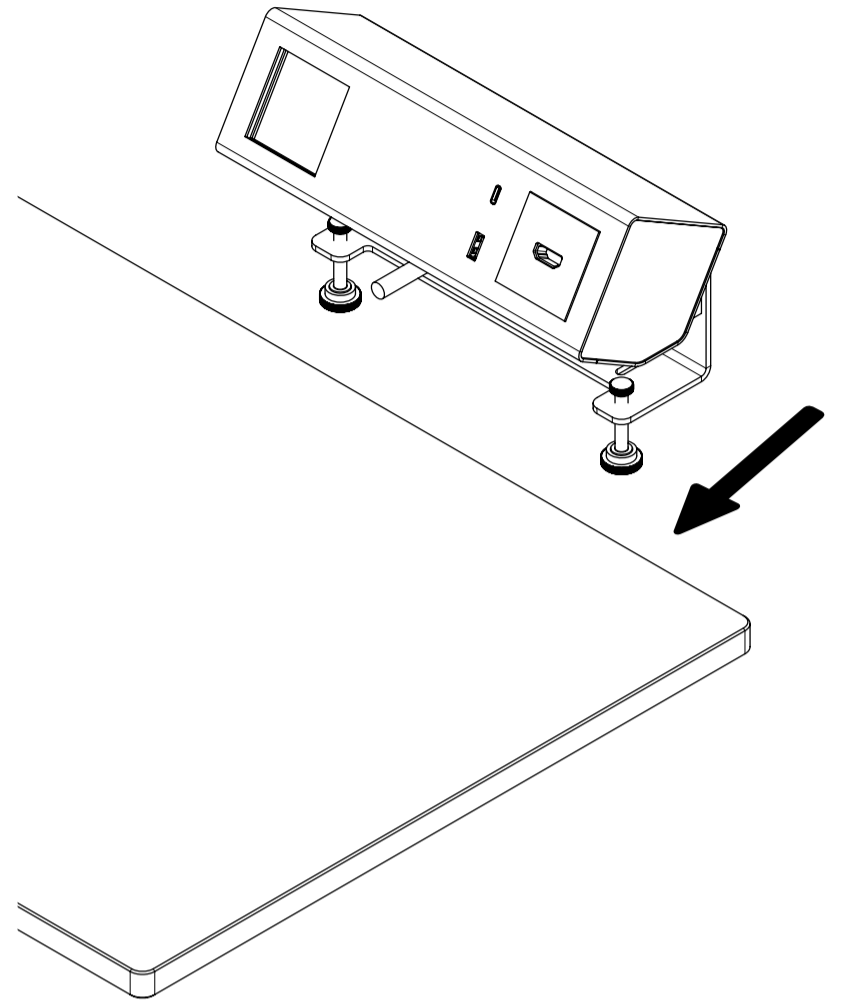
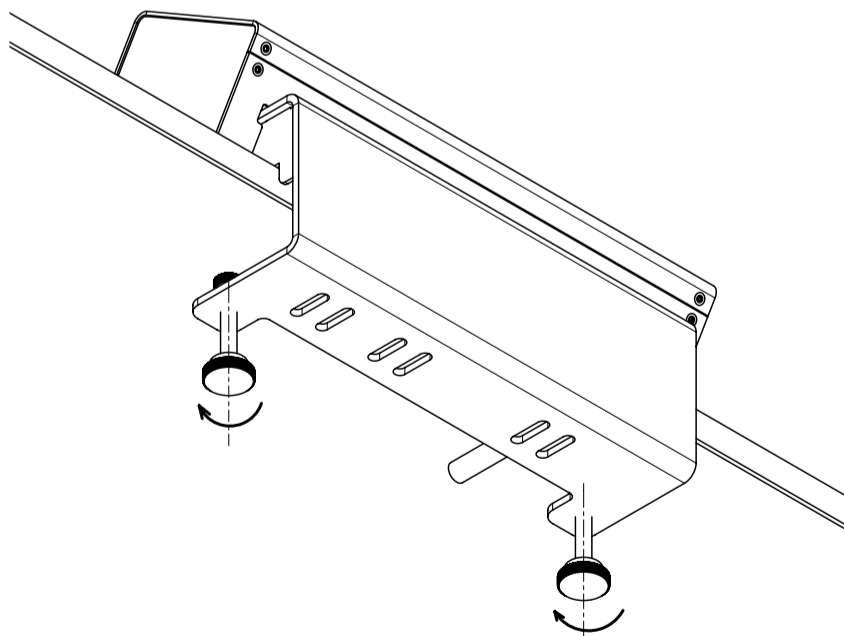


MINI
by panconnect•

1|
Clip the panel to the side of the table



2|
Tighten the screws



More details:

