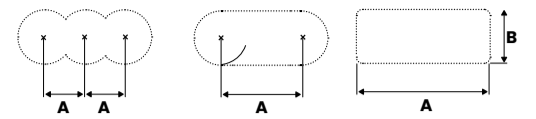


SPOOK

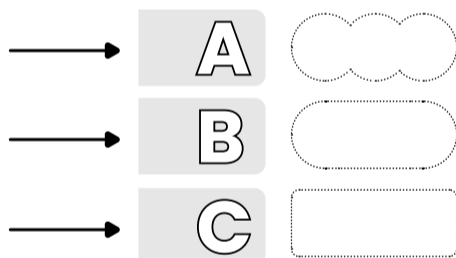
by panconnect.

Technical parameters



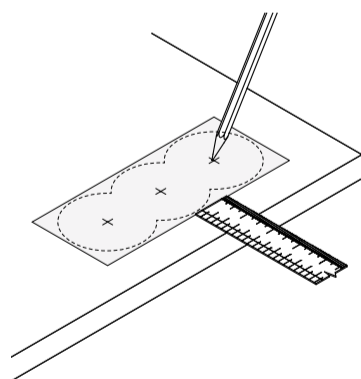
SPOOK XS R	number of holes	2	2	x	—
	A	51,5	51,5	x	
	B	x	x	x	
SPOOK XS S	number of holes	2	2	x	
	A	51,5	51,5	120	
	B	x	x	68	
SPOOK S R	number of holes	3	2	x	
	A	51,5	103	x	
	B	x	x	x	
SPOOK S S	number of holes	3	2	x	
	A	51,5	103	171	
	B	x	x	68	
SPOOK M R	number of holes	4	2	x	
	A	51,5	154,5	x	
	B	x	x	x	
SPOOK M S	number of holes	4	2	x	
	A	51,5	154,5	222,5	
	B	x	x	68	

1|
Choose one option
that is possible
for installation
of your panel

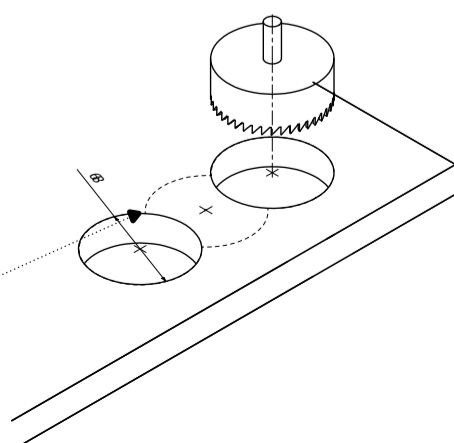


A

A|1
Mark the relevant
amount of centres based
on the cutout



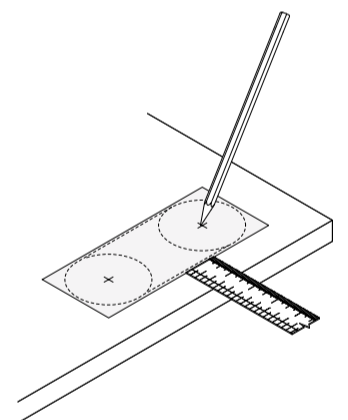
A|2
Cut the holes with
the hole saw (ø 68 mm)



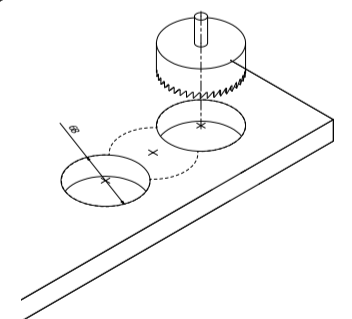
! Clean
the edge
with a rasp

B

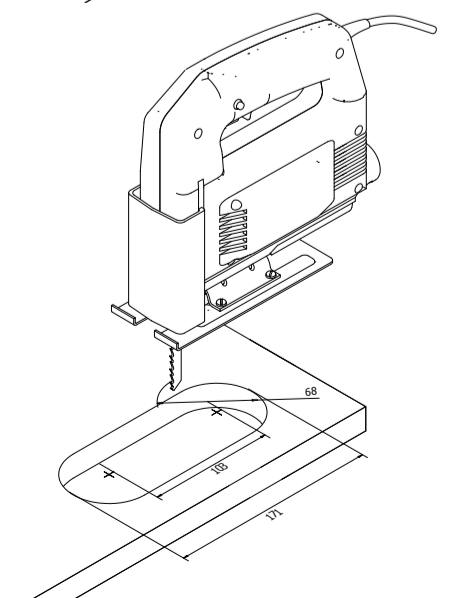
B|1
Take the cutout and
mark two side centres



B|2
Cut out the holes with
the hole saw (ø 68 mm)



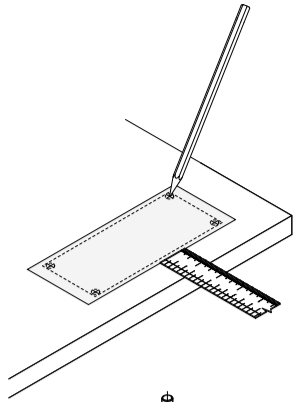
B|3
Take a jig saw and cut
the bridge between
the holes



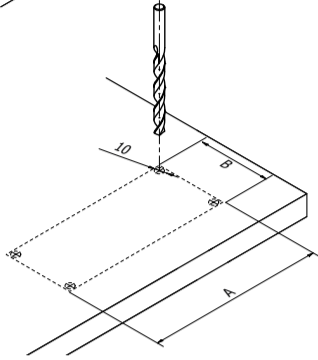


! This cutout cannot be used for ROUND shape

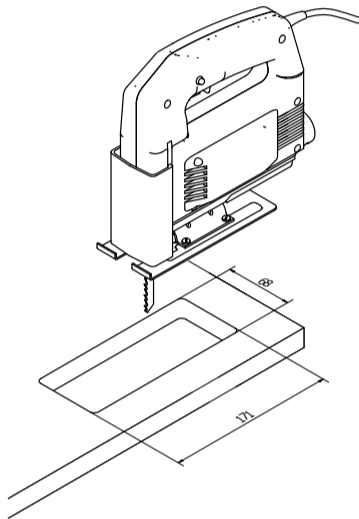
C|1
Mark four centres
(if you have bit $\varnothing 10$, then you can drill based on the cutout)



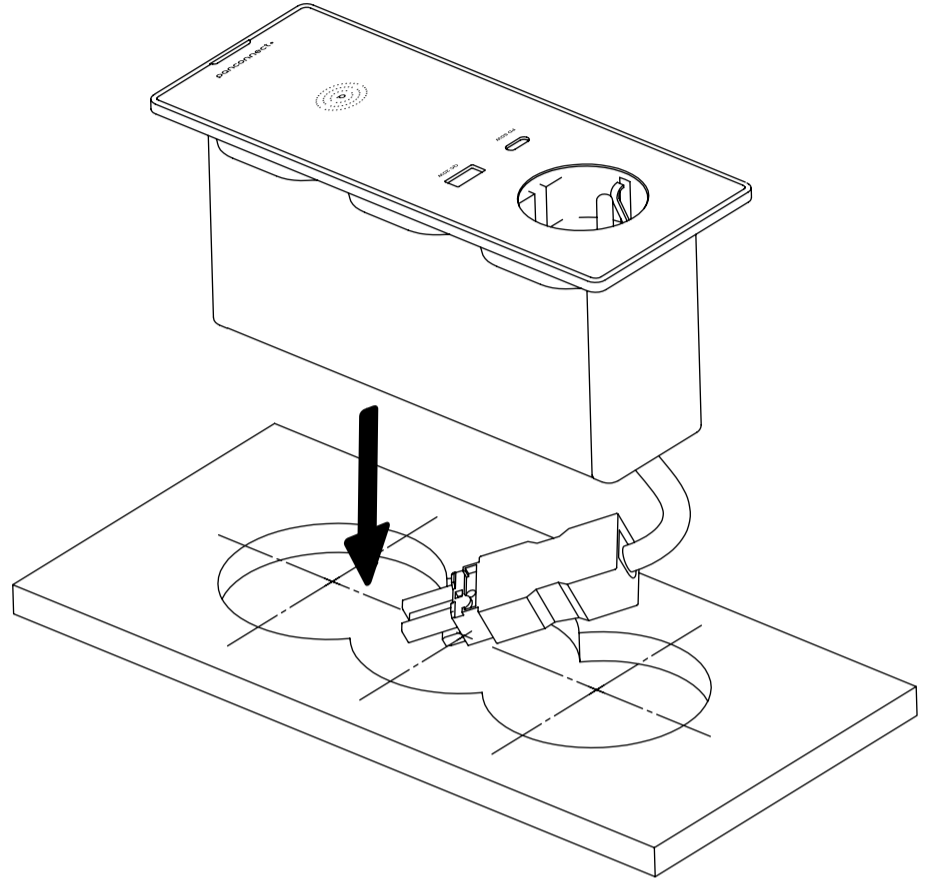
C|2
Drill the holes with bit ($\varnothing 10$ mm)



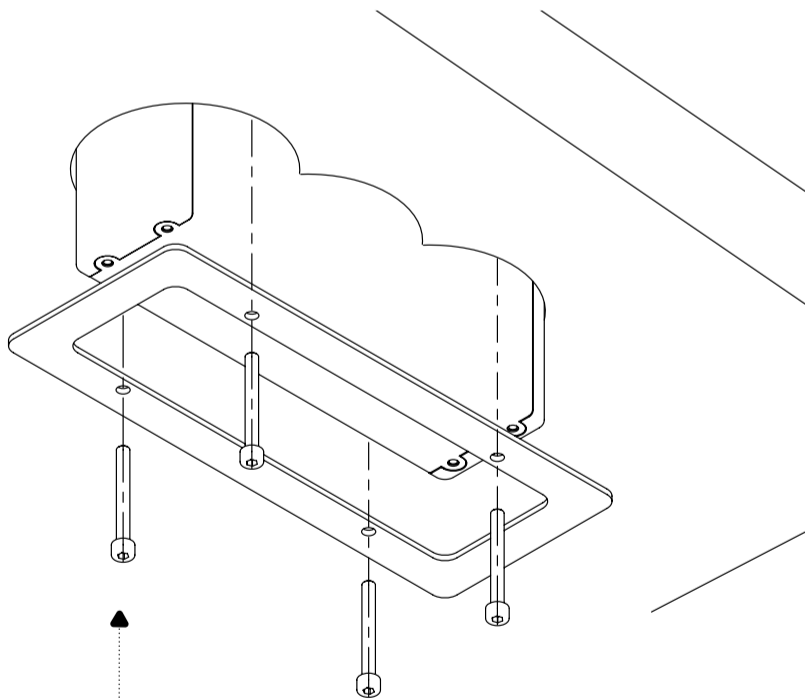
C|3
Take a jig saw and cut the holes



2|
Insert the panel to the hole



3|
Place the frame and tighten it with the screws



! LENGTH OF A SCREW FOR SPOOK'S INSTALLATION TO A TABLE DESK

LENGTH OF A SCREW ▶ M4 ISO 7380 A2	10	16	20	25	30	35
DESK MOUNTING ▶ HEIGHT	10-14	15-19	20-24	25-29	30-34	35-40

More details:



SPOOK
by panconnect