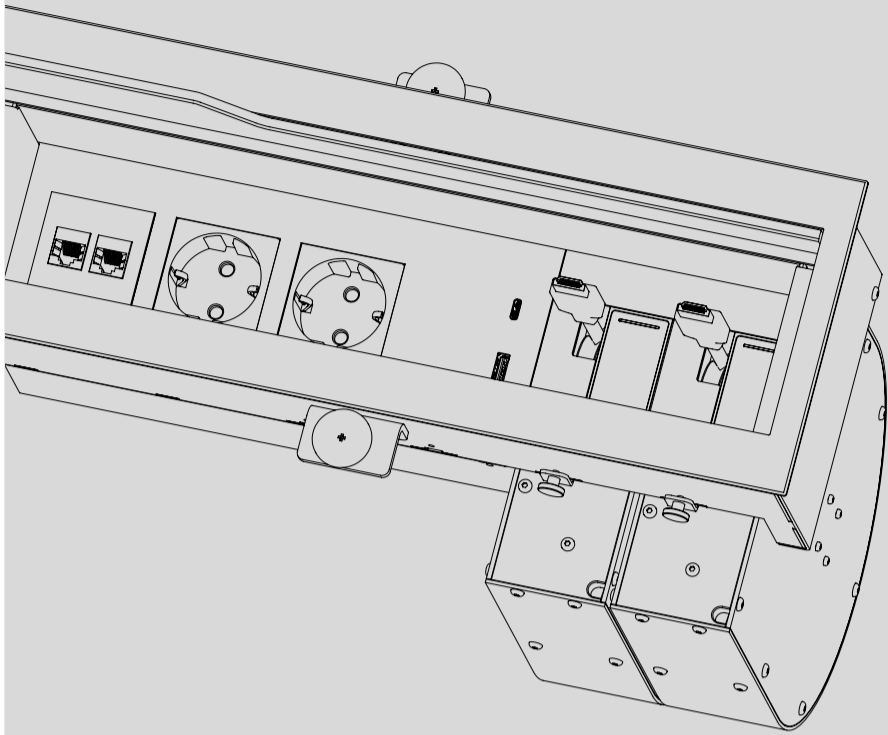
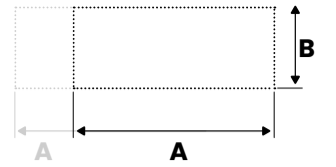


Installation
manual



UNI
by panconnect•

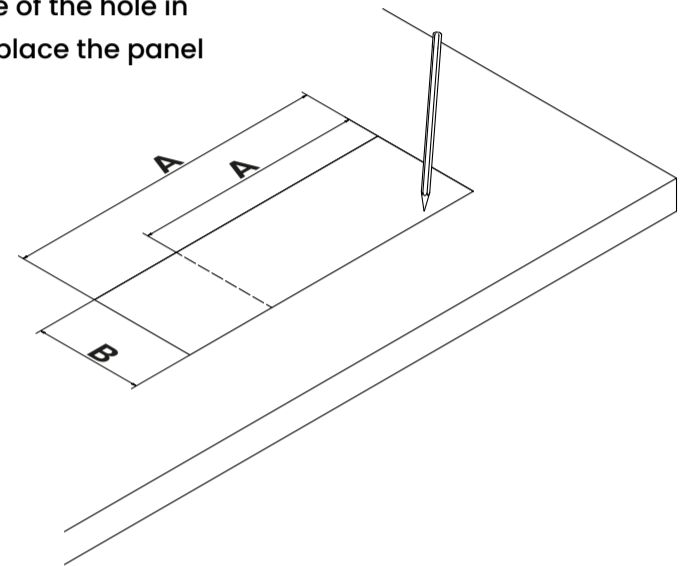
Technical
parameters



		A	x	B
UNI 4	size of the panel	268 mm	x	127 mm
UNI 6	size of the panel	377 mm	x	127 mm

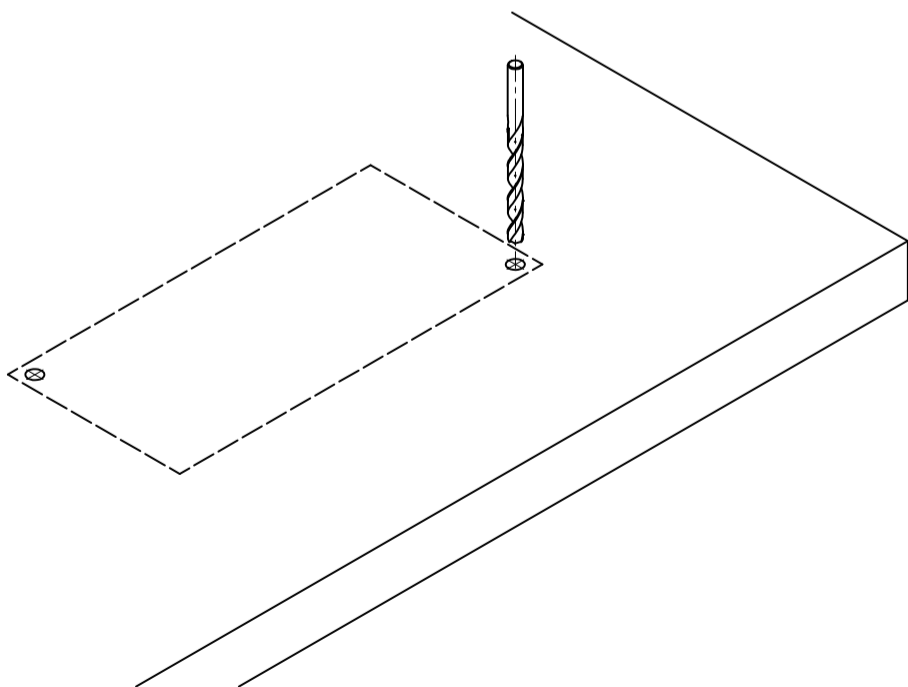
1|

Based on the chosen size,
mark size of the hole in
order to place the panel



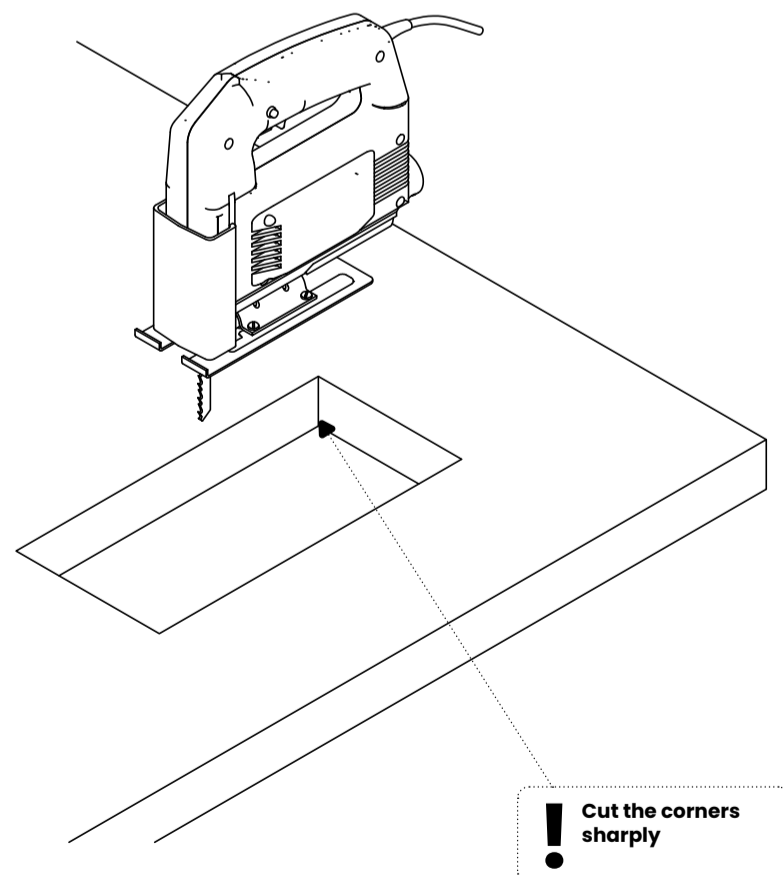
2|

Drill two holes
in the opposite corners
inside of the frame

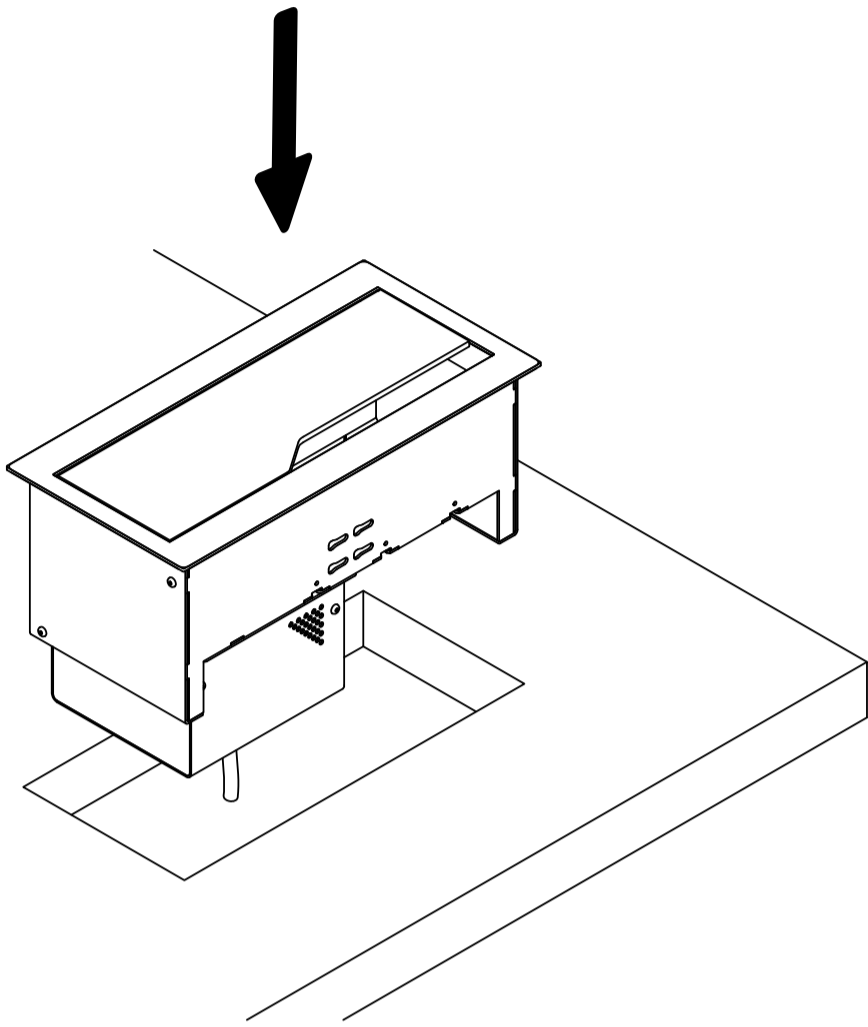


3|

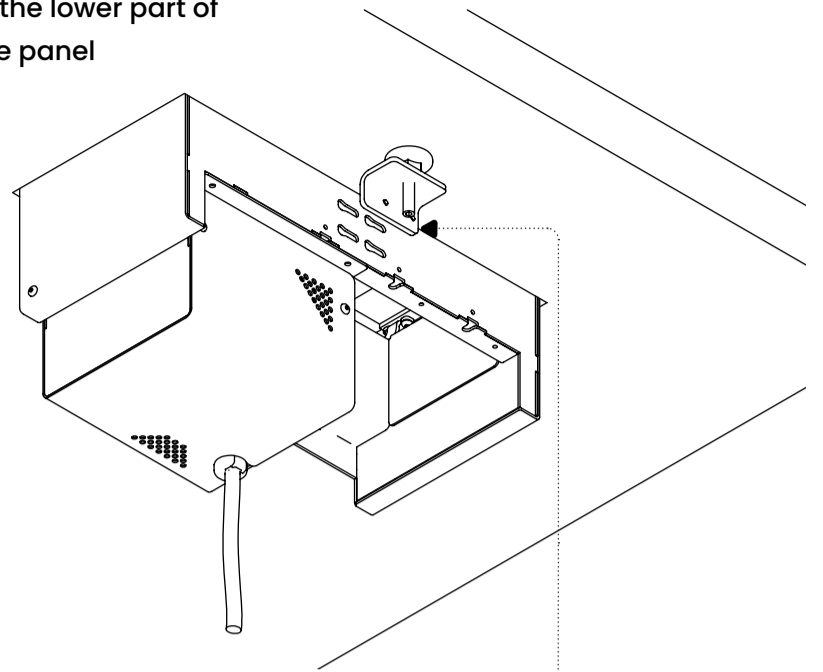
Take a jig saw and cut
the hole



4|
Insert the panel into
the hole

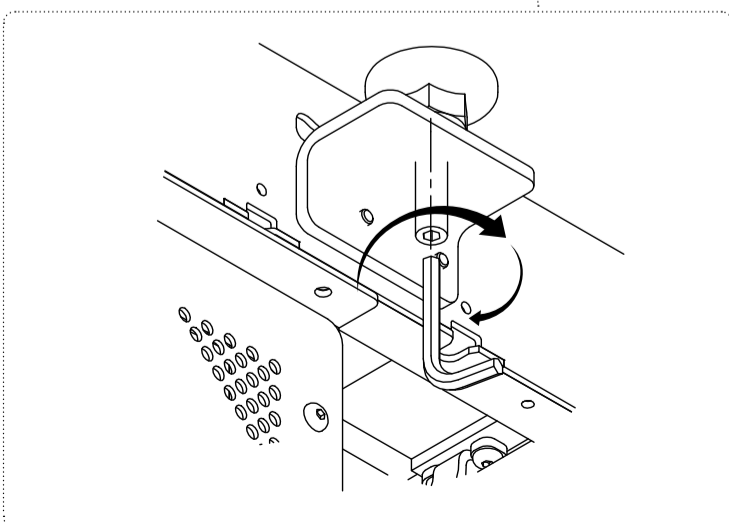
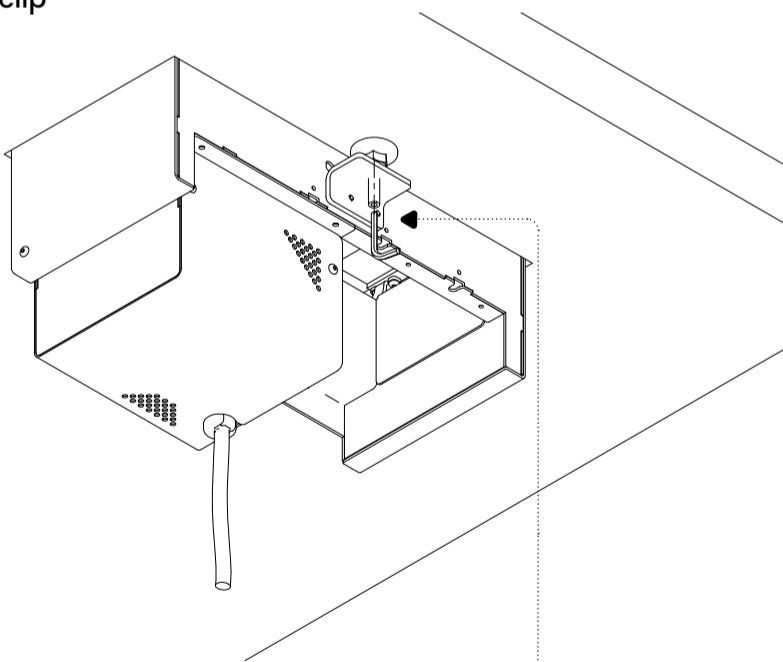


5|
Insert a clip into the groove
in the lower part of
the panel

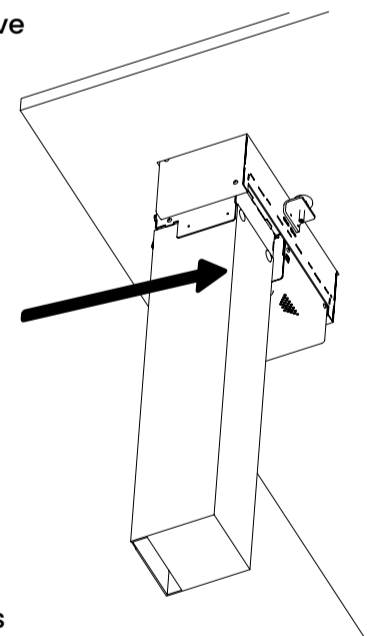


! For the desk height 10- 25 mm use upper groove,
for the desk height 24 - 42 mm use lower groove.

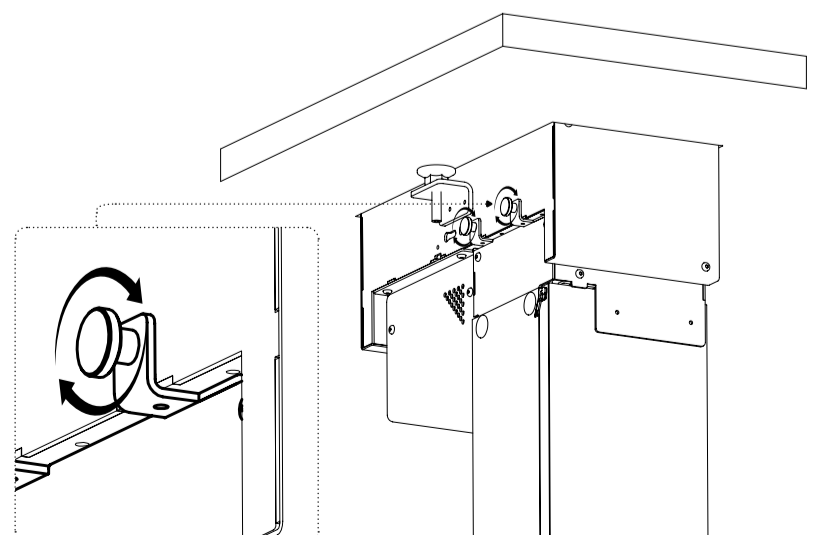
6|
Use hex key no.3 to tighten
the clip



7|A
If you've chosen pullout for your panel,
place it on the lower part of the panel
next to a cartridge and move
it to the grooves
(in the arrow's direction)

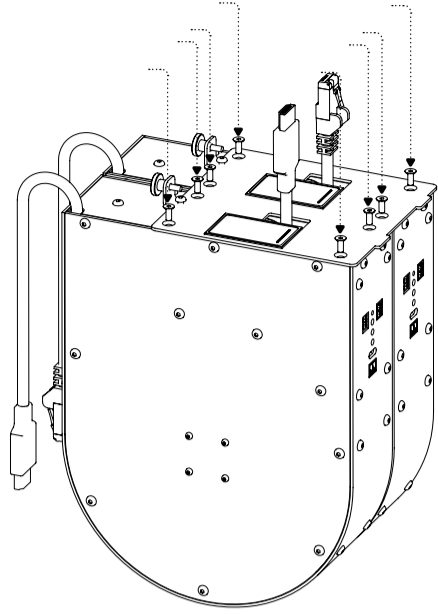


8|A
Tighten the pullout's screws
into the panel



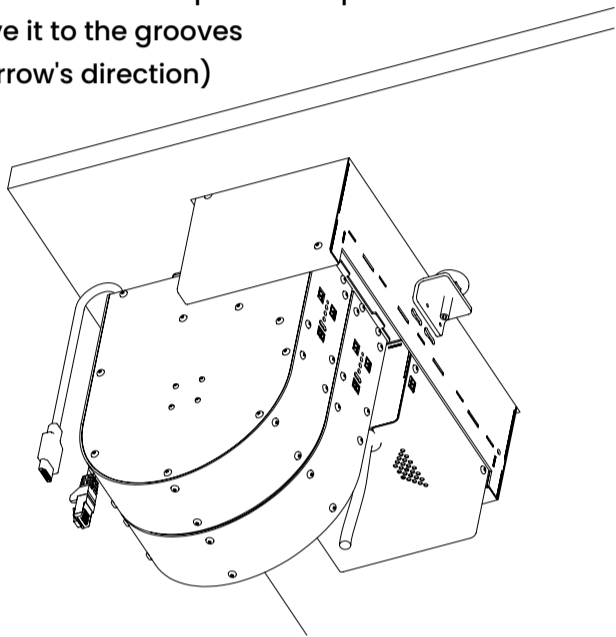
7|B

If you've chosen CMS for your panel, screw in the cover plate to CMS using countersunk-head bolts



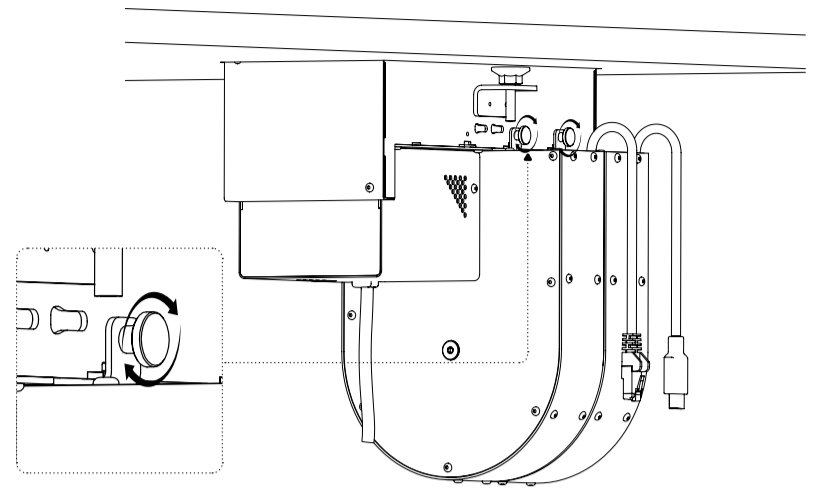
8|B

Place CMS to the lower part of the panel and move it to the grooves (in the arrow's direction)



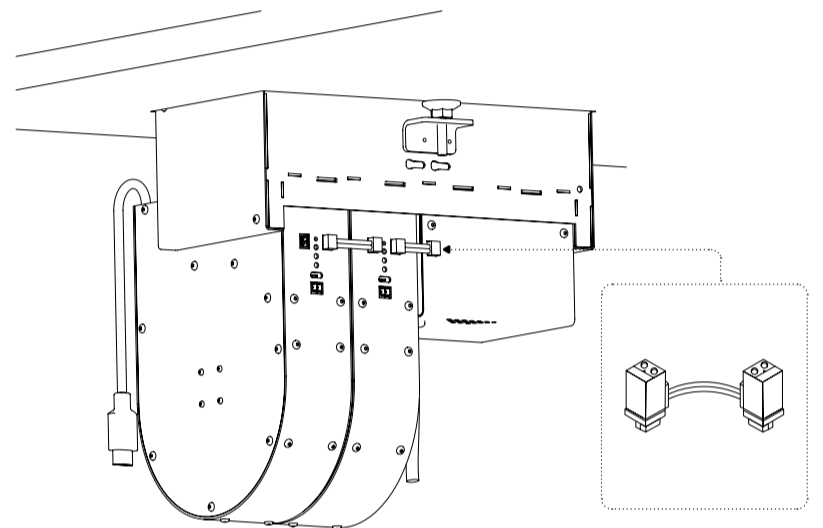
9|B

Tighten the screws into the panel



10|B

Link CMS and cartridge with connection cable (if you have more CMS in your panel, connect them as well)



More details:

