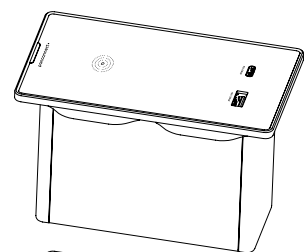


SPOOK

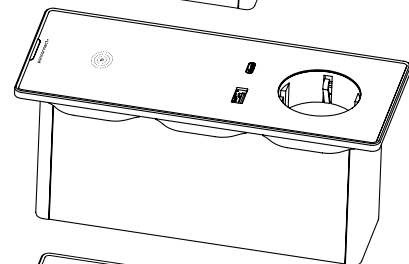
by panconnect•

SPOOK is a smart, luxurious and minimalistic panel. It has been designed for high-end customers who are expecting design and functionality. This panel is suitable for offices, homes, hotel rooms, meeting rooms, chill out zones or restaurants and bars. You can choose for 2 shapes (square and round) and it is available in 15 colour variants. From the perspective of connectivity, 7 variants of sockets, **USB-A** and **USB-C charging (60 W)** and wireless Qi charging are main features of **SPOOK**.

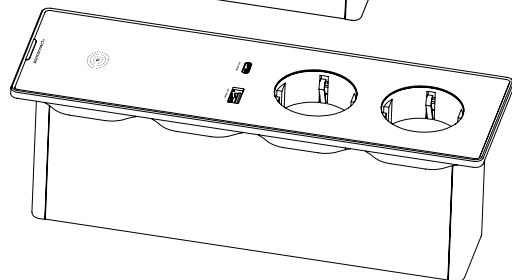
SPOOK can be produced in 3 different sizes depending on the customer's needs. **SPOOK XS** contains USB-A and USB-C charging and wireless **Qi charging**. **SPOOK S** has the possibility to choose from the socket or modules plus USB and **Qi charging**. **SPOOK M** can contain 2 sockets, combination of socket and module or two modules plus USB slots and **Qi charging**.



XS



S



M

DIMENSIONS

WEIGHT

MAX. NUMBER OF SOCKETS

Qi WIRELESS CHARGING

124,5 × 73 × 80,5 mm

890 g

0

✓

176 × 73 × 80,5 mm

1040 g

1

✓

227,5 × 73 × 80,5 mm

1150 g

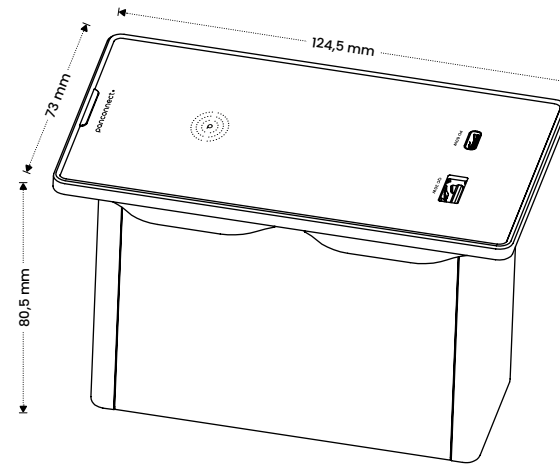
2

✓

SPOOK

by panconnect•

SIZE XS



890 g

COLOURS

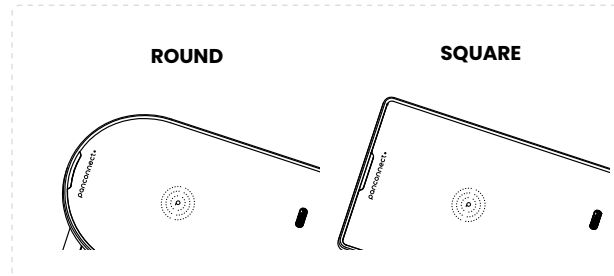
	URBAN TAUPE	ARGENT SILVER	DARK CHARCOAL
FRAME COLOUR			
	NERO INGO	NERO INGO	NERO INGO
INLAY COLOUR	BLU FES	BLU FES	
	CASTORO OTTAWA	GRIGIO EFESO	
	BIEGE LUXOR	BIANCO DOVER	



POWER CABLES

WAGO miniWINSTA	WIELAND GST18	POWER SUPPLY
25 cm long pigtail cable with WINSTA mini plug 2+PE wiring 10A	25 cm long pigtail cable with GST18i3 plug 2+PE wiring 10A	cable with the schuko plug type and length of the cable 3 m

SHAPE



PACKAGE CONTAINS

	1 × mounting frame for installation
	1 × panel with chosen power supply
	4 × mounting screws in 6 possible sizes (de- pending on the the desk mounting height)

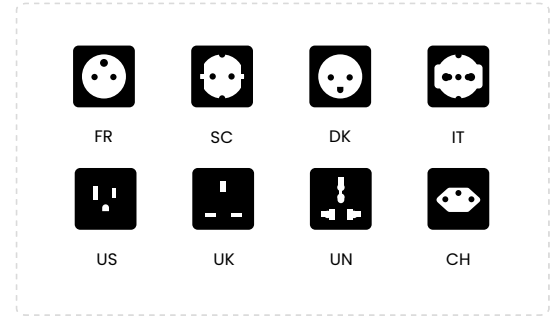
SPOOK

by panconnect•

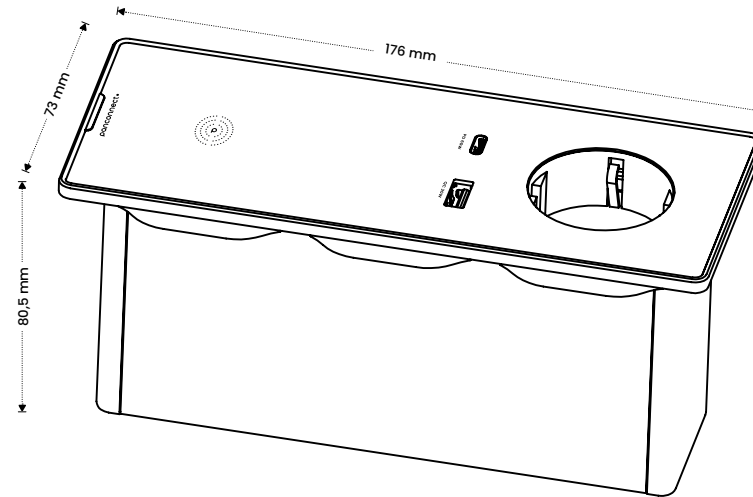
SIZE S

SOCKETS

NUMBER OF SOCKETS: 1



1040 g



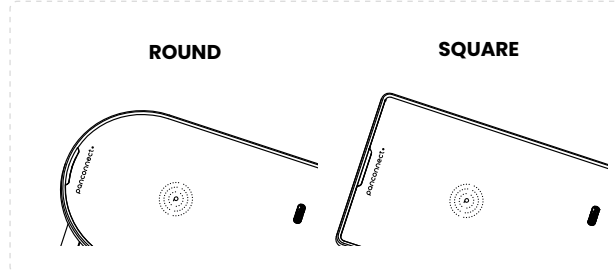
COLOURS

	URBAN TAUPE	ARGENT SILVER	DARK CHARCOAL
	NERO INGO	NERO INGO	NERO INGO
	BLU FES	BLU FES	
	CASTORO OTTAWA	GRIGIO EFESO	
	BIEGE LUXOR	BIANCO DOVER	

POWER CABLES

<p>WAGO miniWINSTA</p> <p>25 cm long pigtail cable with WINSTA mini plug 2+PE wiring 10A</p>	<p>WIELAND GST18</p> <p>25 cm long pigtail cable with GST18i3 plug 2+PE wiring 10A</p>	<p>POWER SUPPLY</p> <p>cable with the schuko plug type and length of the cable 3 m</p>
--	--	--

SHAPE



PACKAGE CONTAINS

- 1 × mounting frame for installation
- 1 × panel with chosen power supply
- 4 × mounting screws in 6 possible sizes (depending on the the desk mounting height)



SPOOK

by panconnect•

SIZE M

SOCKETS

NUMBER OF SOCKETS: 2



FR



SC



DK



IT



US



UK



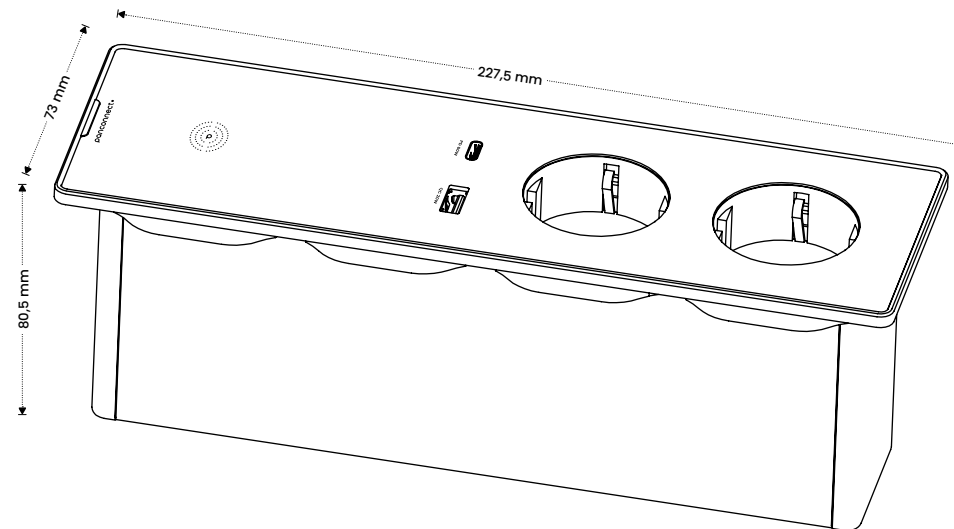
UN



CH



1150 g



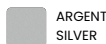
COLOURS



FRAME COLOUR



URBAN TAUPE



ARGENT SILVER



DARK CHARCOAL



INLAY COLOUR



NERO INGO



NERO INGO



NERO INGO



BLU FES



BLU FES



CASTORO OTTAWA



GRIGIO EFESO



BIEGE LUXOR



BIANCO DOVER

POWER CABLES

WAGO miniWINSTA



25 cm long pigtail
cable with WINSTA mini plug
2+PE wiring | 10A

WIELAND GST18



25 cm LONG pigtail
cable with GST1813 plug
2+PE wiring | 10A

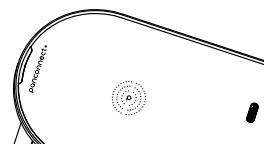
POWER SUPPLY



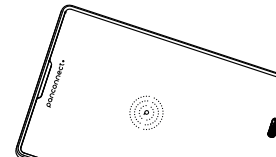
cable with the schuko plug type
and length of the cable **3 m**

SHAPE

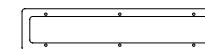
ROUND



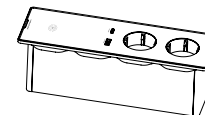
SQUARE



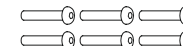
PACKAGE CONTAINS



1 × mounting frame for installation



1 × panel with chosen power supply



6 × mounting screws in 6 possible sizes (depending on the the desk mounting height)



SAFETY & RECYCLATION



PANCONNECT declares that panel CORD complies with Low voltage directive 2014/35/EC and EMC directive 2014/30/EU. Testing has been made according to EN 50491-5-1:2010 and EN 50491-5-2:2010 standards.



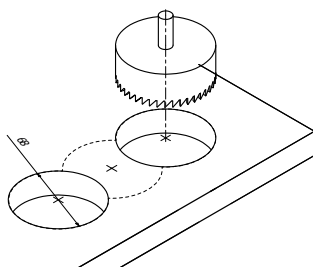
All products from PANCONNECT are intended for **upgrade** or **recyclation** in accordance with the company's policy.



Before the disposal of this panel comes up, please verify if this product can or cannot be upgraded or overhauled. If it's not possible, kindly arrange the disposal in accordance with valid EU directives. This product belongs to WASTE ELECTRICAL AND ELECTRONIC EQUIPMENT (WEEE) category so the disposal is possible only in accordance with this WEEE Directive 2012/19/EU. It cannot be part of the municipal waste.

For more information please check
www.asekol.cz | info@asekol.cz

INSTALLATION MANUAL



DESK MOUNTING HEIGHT

10 mm
up to 40 mm
(up to 60mm
with custom screws)

Tools: Hole saw, rasp

Warning: Always follow the cutout for your panel. Steps may vary depending on the panel.

- 01** Mark the centers and cut out the holes with the hole saw
- 02** Clean sharp edges with the rasp and put the panel into the cutout.
- 03** Insert the frame from the bottom of the panel and tighten the screws.

USB-C SPECIFICATION

PowerDelivery up to 60W

USB-A SPECIFICATION

QuickCharge 3.0 up to 5A

SOCKETS

230V/10A (EU), 110V/10A (US)

INGRESS PROTECTION

IP22

POWER SUPPLY

110 - 250V, 10A

MATERIALS

Dural | stainless steel | FENIX NTM | cortexin

DESIGNER

Dominik Hutečka

Designed & manufactured in Brno, Czech Republic.
PANCONNECT s.r.o. | Olomoucká 51, Brno | Czech Republic
www.panconnect.eu | support@panconnect.eu

panconnect