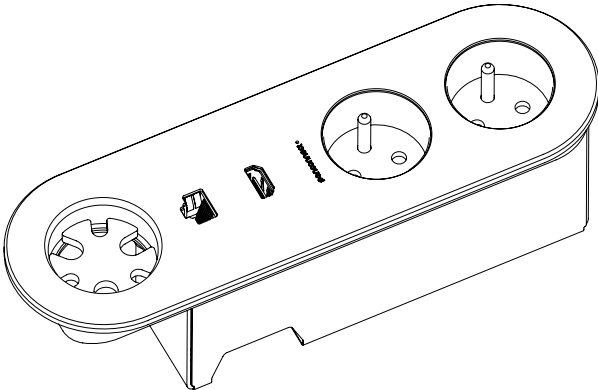


**B A S I C S**

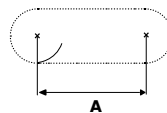
**Installation  
manual**



**CARIQ**

by panconnect•

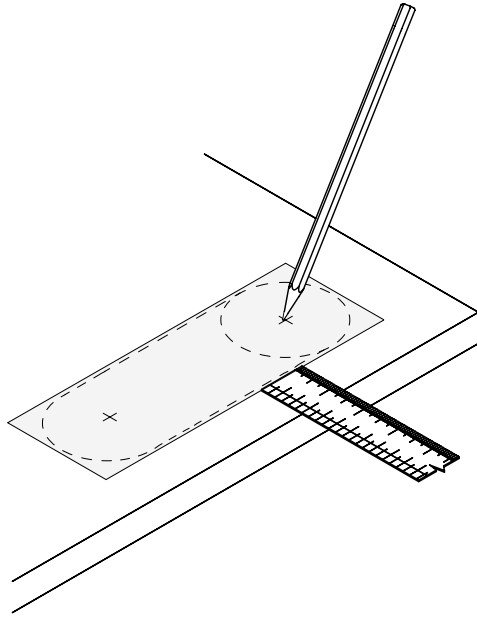
# Technical parameters



<b>CARIQ XS</b>	<b>number of holes</b>	2
	<b>A</b>	62,5
<b>CARIQ S</b>	<b>number of holes</b>	2
	<b>A</b>	114
<b>CARIQ M</b>	<b>number of holes</b>	2
	<b>A</b>	165,5
<b>CARIQ L</b>	<b>number of holes</b>	2
	<b>A</b>	217
<b>CARIQ XL</b>	<b>number of holes</b>	2
	<b>A</b>	268,5

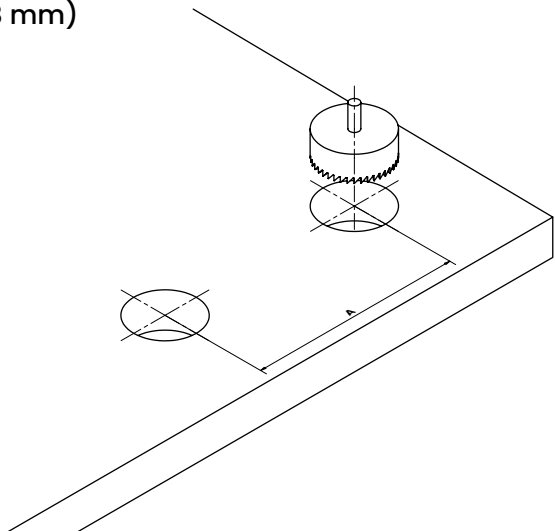
**1|**

Mark two side centres  
according to cutout



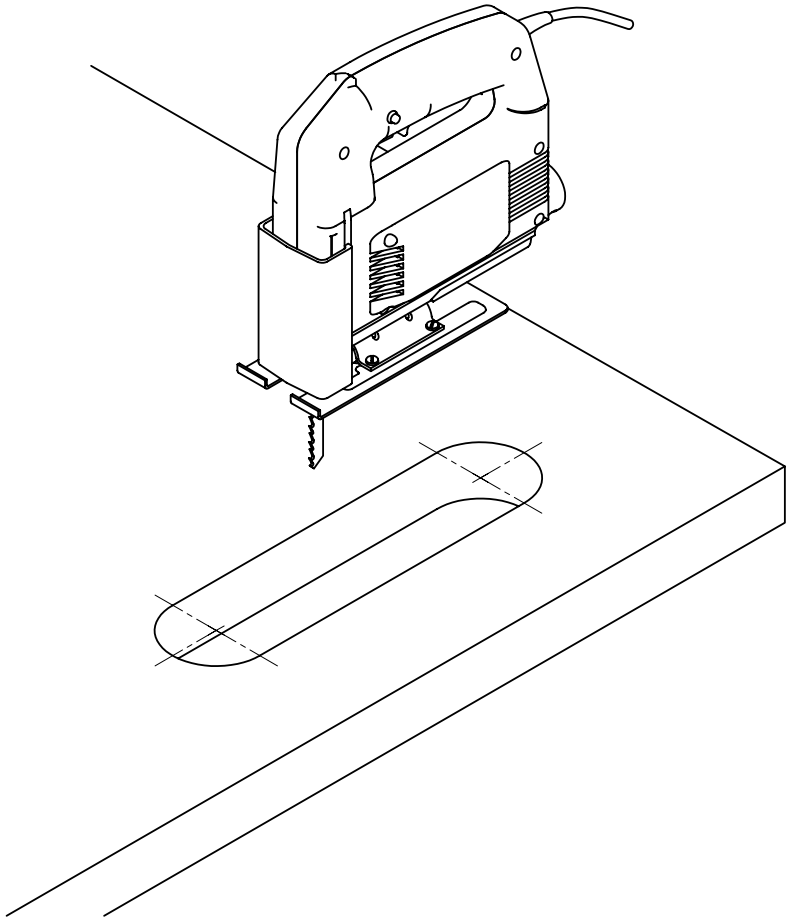
**2|**

Take a hole saw ( $\varnothing$  68 mm)  
and cut the holes



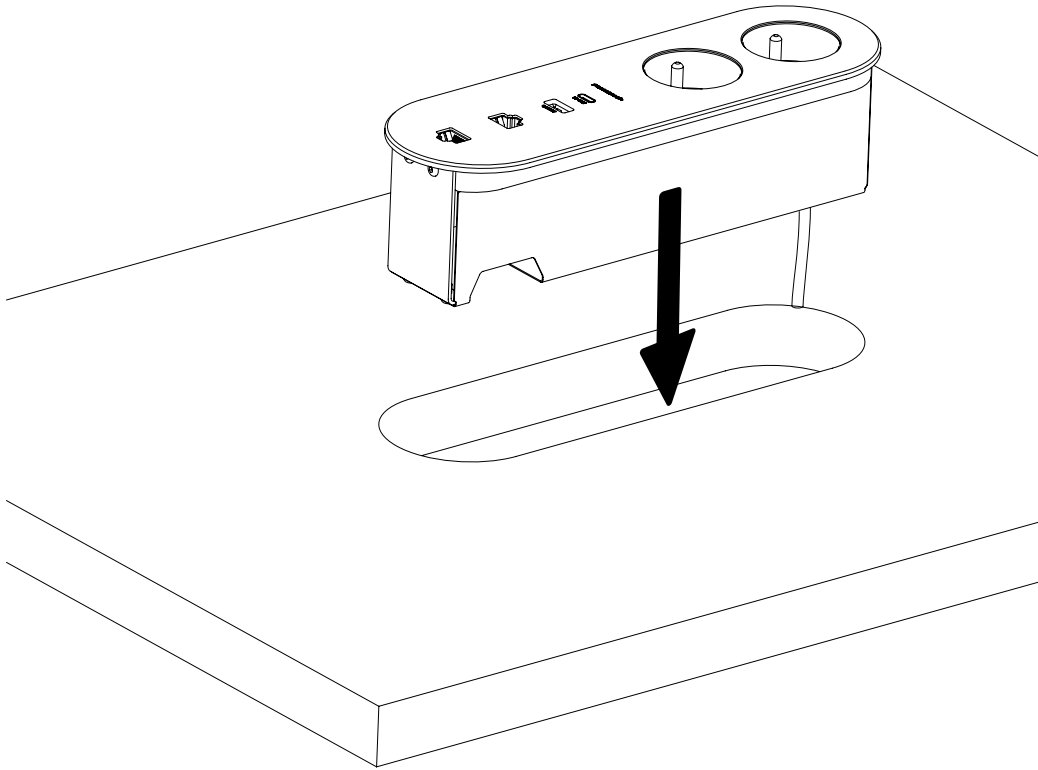
**3|**

Take a jig saw and cut  
the space between  
the holes



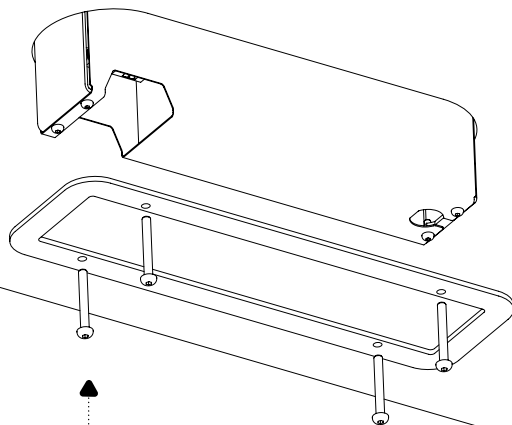
**4 |**

Insert the panel  
to the hole



## 5 |

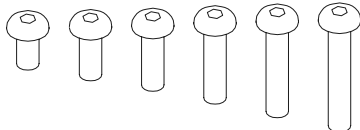
Place the frame and tighten  
it with the screws



**LENGTH OF A SCREW FOR AN INSTALLATION TO  
THE TABLE DESK**

**LENGTH OF A SCREW ►  
M4 ISO 7380 A2**

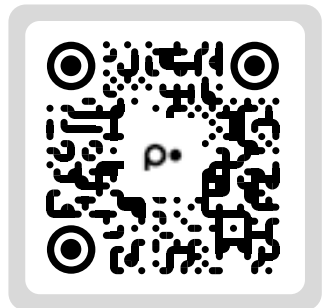
**10 16 20 25 30 35**



**DESK MOUNTING ►  
HEIGHT**

**10-14 15-19 20-24 25-29 30-34 35-40**

**More details:**



**CARIQ**  
by panconnect•