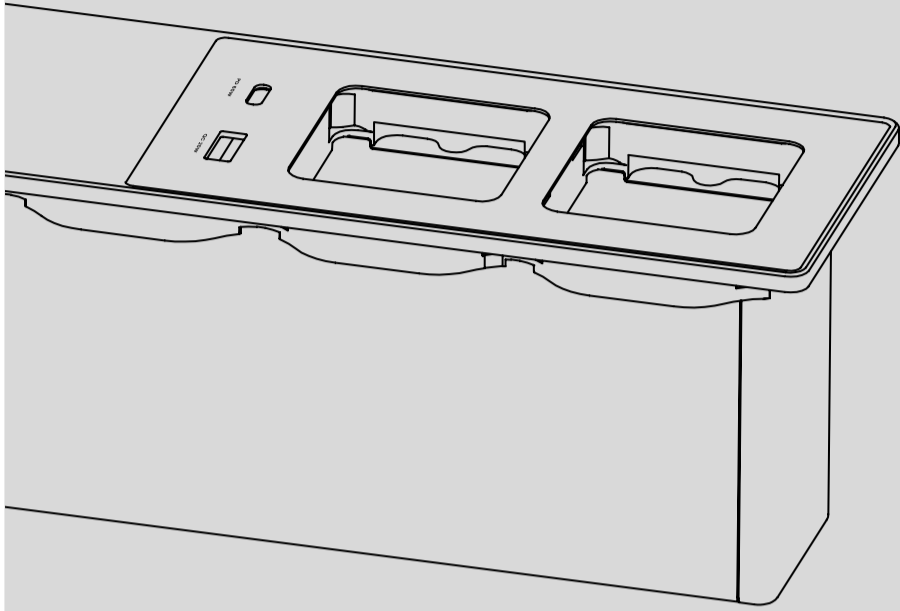
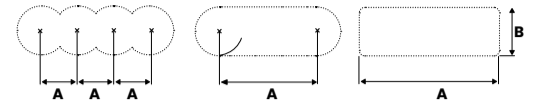


Installation
manual



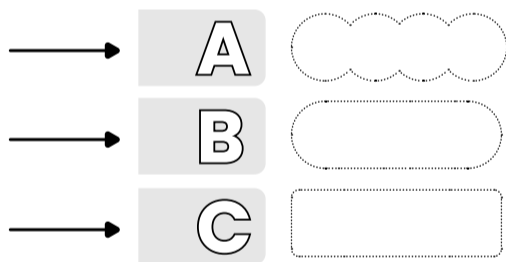
FLAT
by panconnect.

Technical
parameters



	number of holes	4	2	x
FLAT BASIC	A	51,5	154,5	222,5
	B	x	x	62
	number of holes	4	2	x
FLAT M	A	51,5	154,5	222,5
	B	x	x	62
	number of holes	x	2	x
FLAT L	A	x	206	265
	B	x	x	62
	number of holes	x	2	x
FLAT XL	A	x	257,5	316,5
	B	x	x	62
	number of holes	x	x	x
FLAT PLUS	A	x	x	352
	B	x	x	64

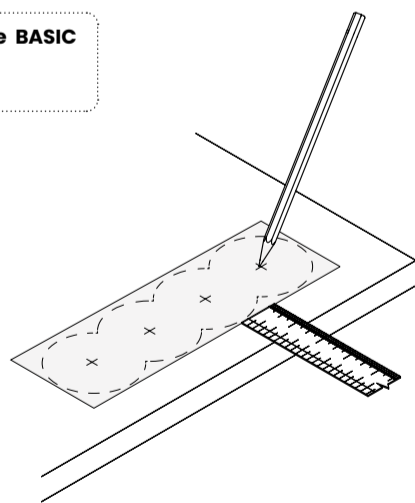
1|
Choose one option
that is possible
for installation
of your panel



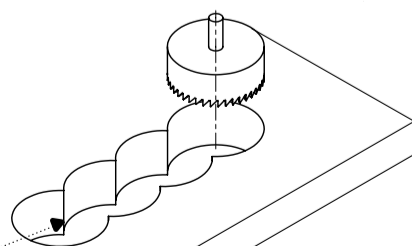
A

! Suitable for size BASIC
and M only

A|1
Mark four centres
according to the cutout



A|2
Take a hole saw (ø 68 mm)
and cut the holes

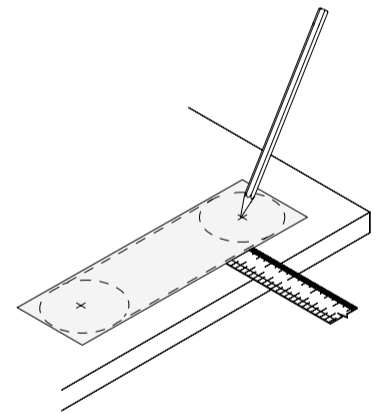


! Clean the edge
with a rasp

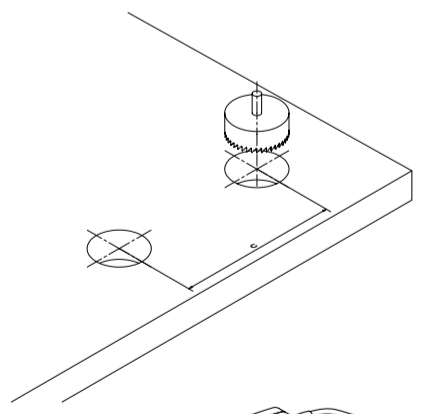


B

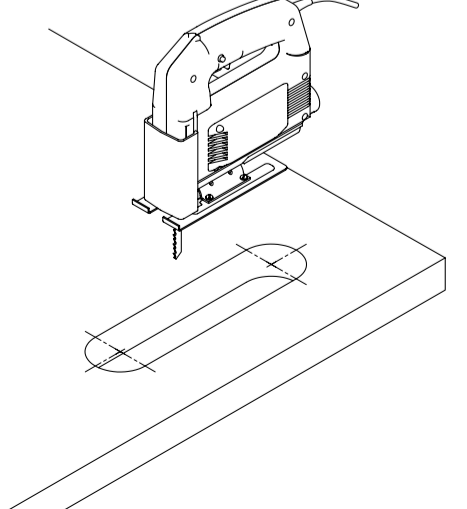
B|1
Mark two side centres
according to the cutout



B|2
Take a hole saw (ø68 mm)
and cut the holes

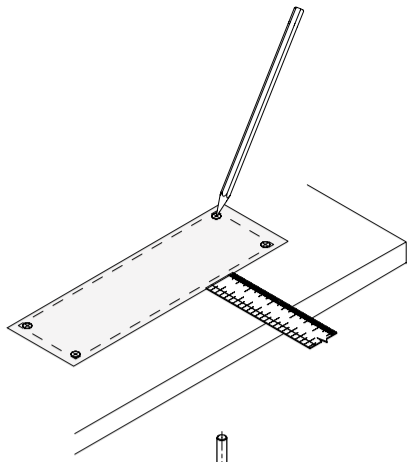


B|3
Take a jig saw and cut
the bridge between
the holes

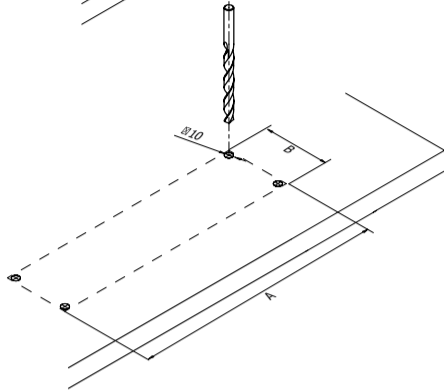




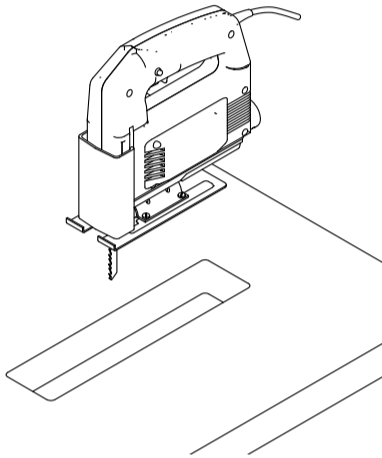
C|1
 Mark four centres
 (if you have bit $\varnothing 10$,
 then you can drill based
 on the cutout)



C|2
 Drill the holes with
 bit $\varnothing 10$ mm

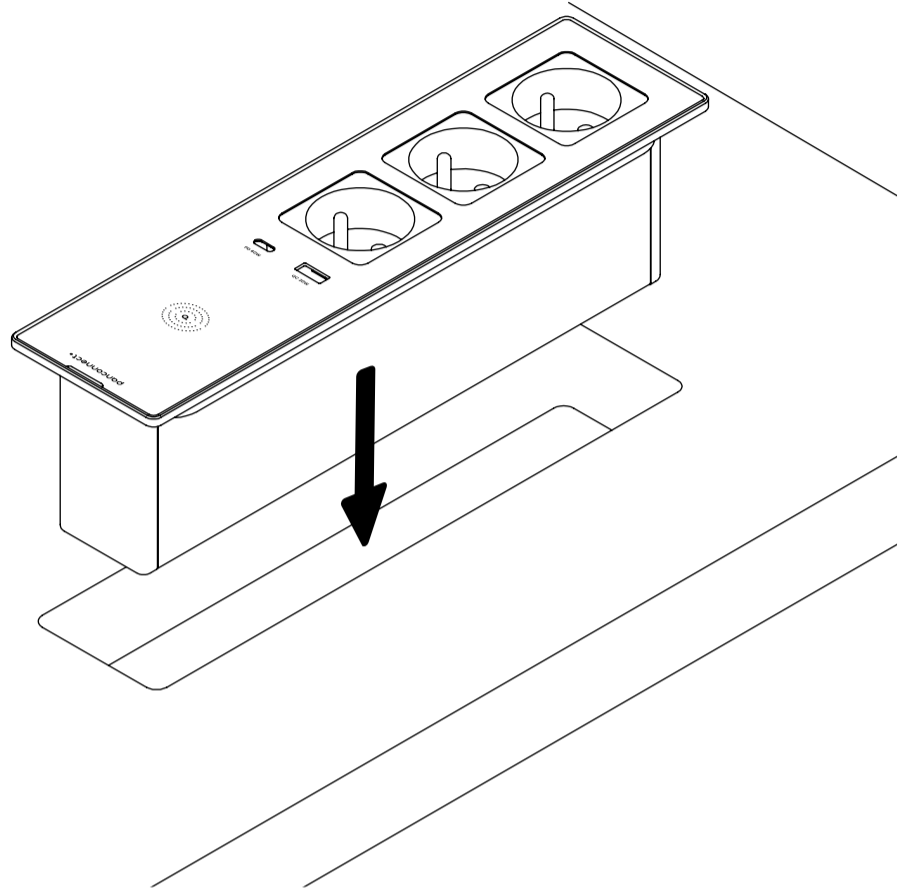


C|3
 Take the jig saw and cut
 the holes

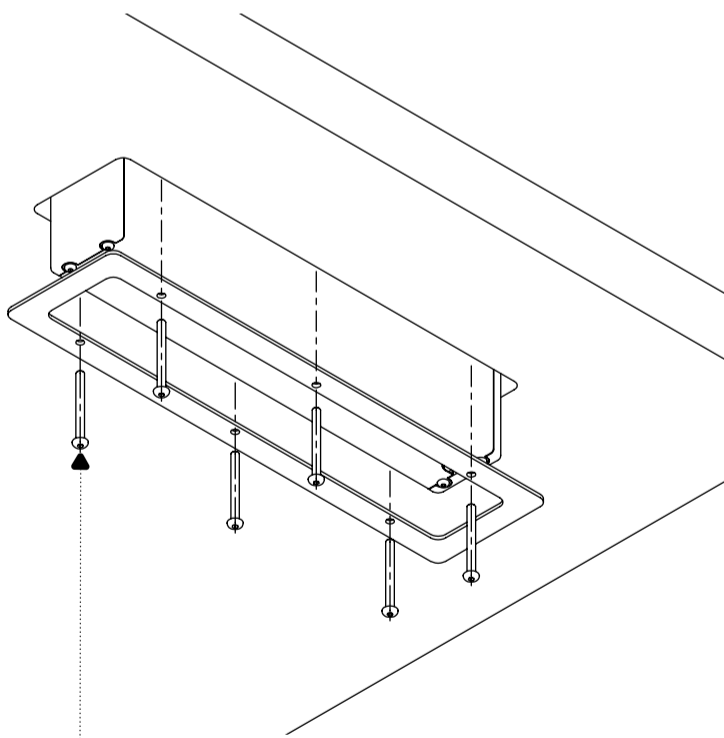


! For FLAT PLUS
 sharp corners
 are needed

2|
 Insert the panel into
 the hole



3|
 Insert the frame and tighten
 the screws



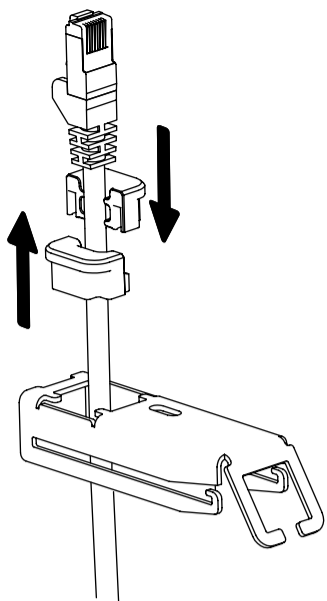
! Length of a screw for FLAT's installation to a
 table desk

LENGTH OF A SCREW ▶ M4 ISO 7380 A2	10	16	20	25	30	35
DESK MOUNTING ▶ HEIGHT	10-14	15-19	20-24	25-29	30-34	35-40

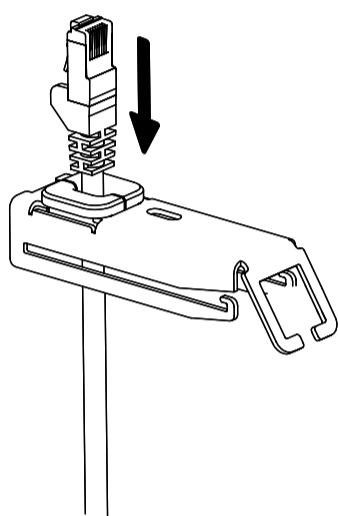
How to assemble pullout

1|
Firstly pass a cable through a metal piece

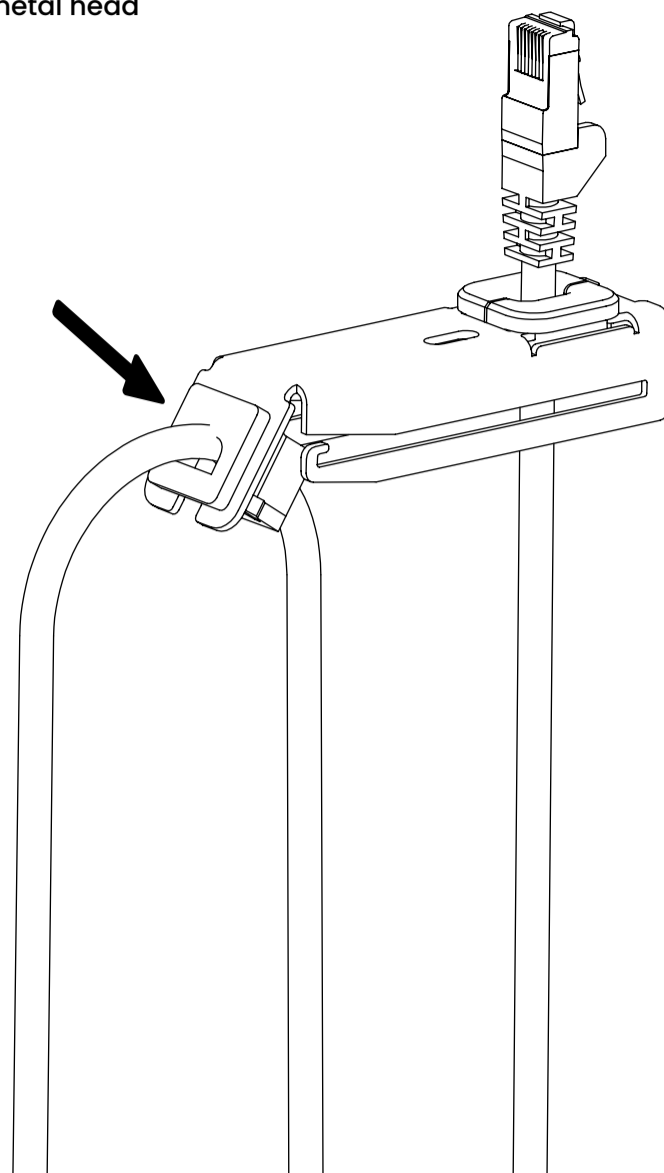
Put the plastic piece on the second one so that the cable gets in the middle



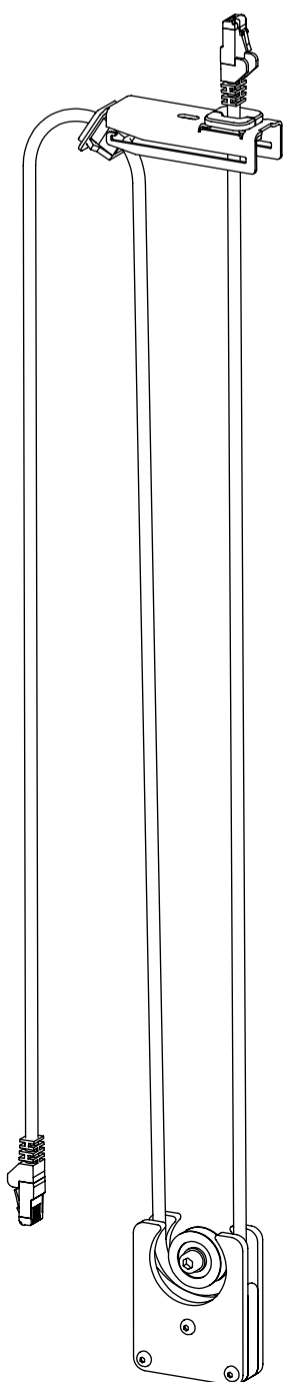
2|
Insert the plastic pieces into the metal head



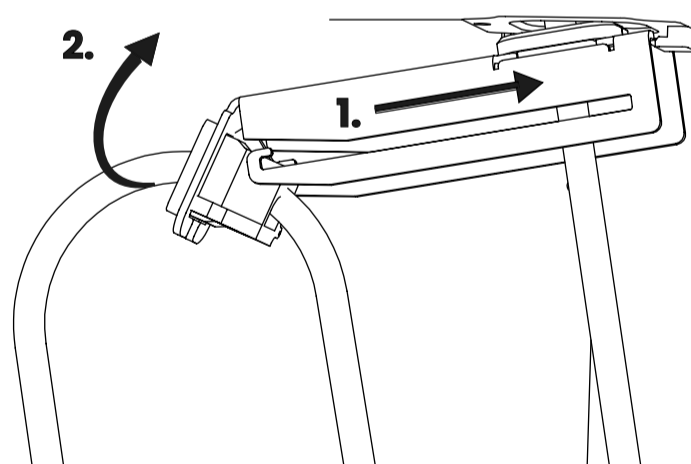
3|
Clip the plastic fastener on the cable to the metal head



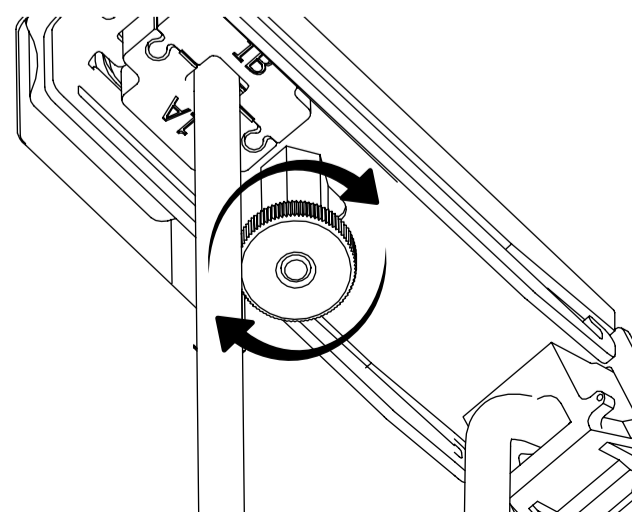
4|
Put the cable into the weight so that it fits to the pulley's groove in the weight



5|
Follow direction of arrow no. 1 to hook the metal piece on the panel. Arrow no. 2 shows how to move the metal piece closer to the panel

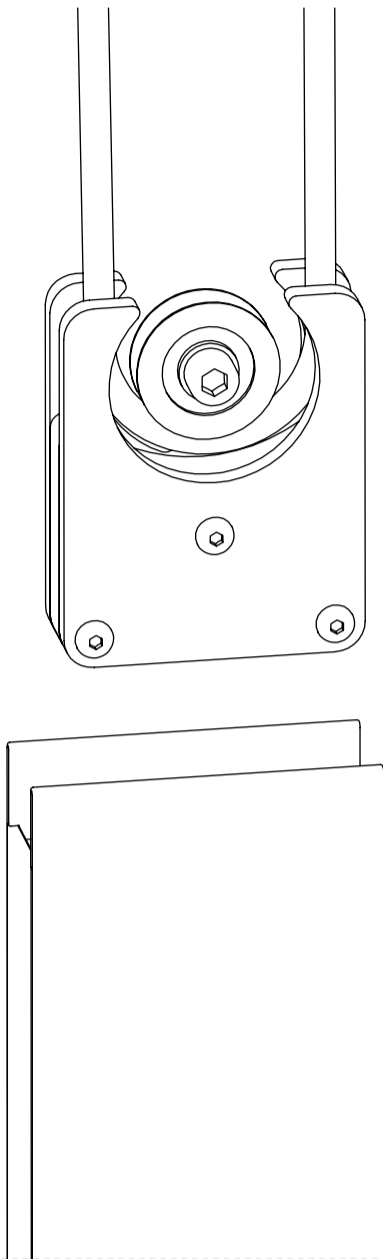


6|
Take the scalloped screw and screw the metal piece to the panel



7|

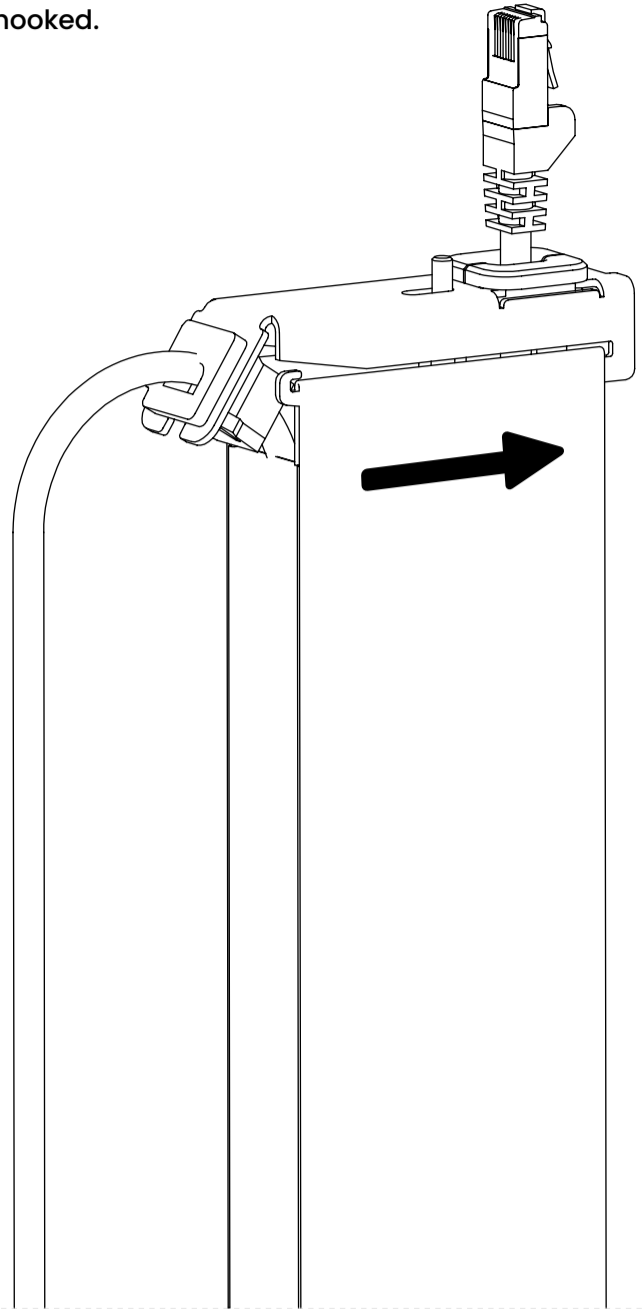
Put the bag on the cable with weight



8|

Place the bag on the metal head.

The are tunnels on the bag that should be passed through the metal head and hooked.



More details:



FLAT
by panconnect•